

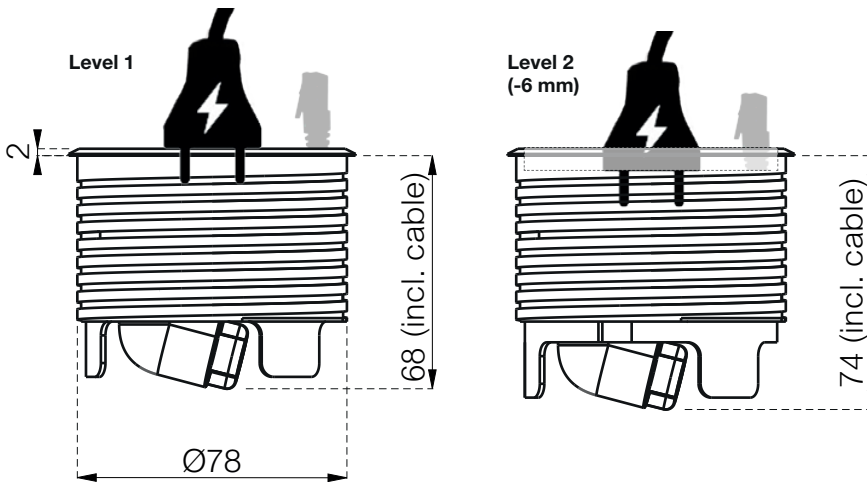


□ 935-PD36W

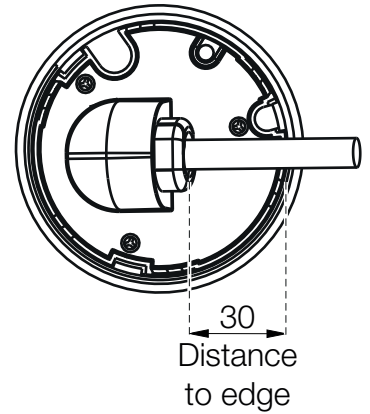
■ 935-PD36

Powerdot - 1 Power, 1 USB/A charger (5V 2A) 1 USB/C port, 2 Feed throughs (Ø7, Ø9.5 mm), French version

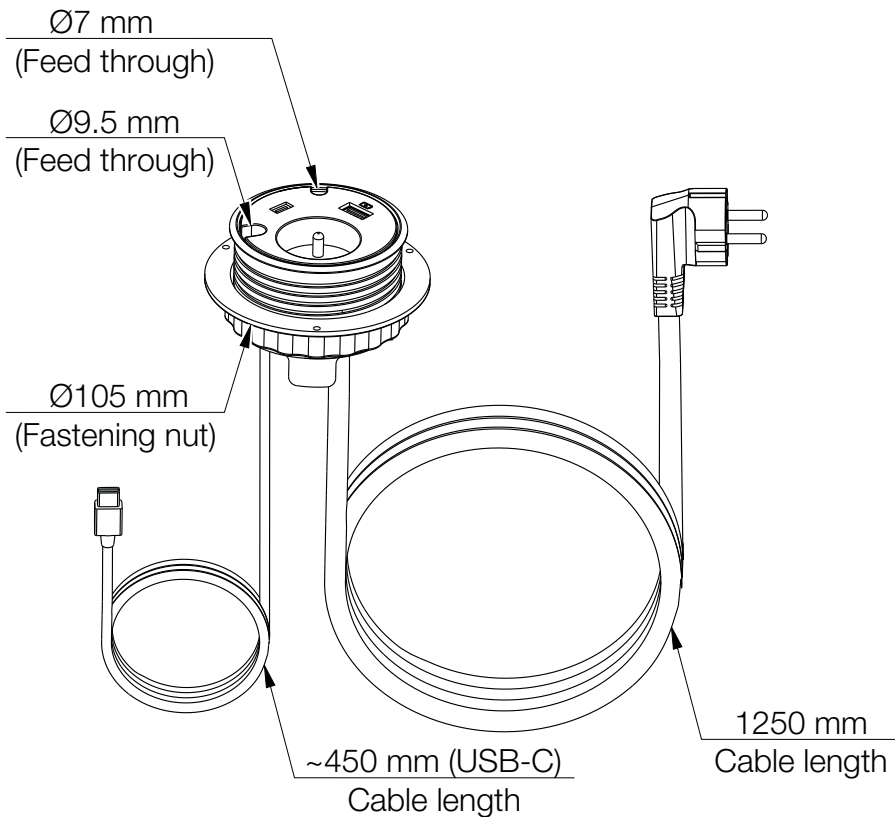
Front view (Grommet)



Bottom view



Oriented view (Grommet, nut & cable)



Maximum table thickness:
Recommended hole cut:

30 mm
Ø79 mm